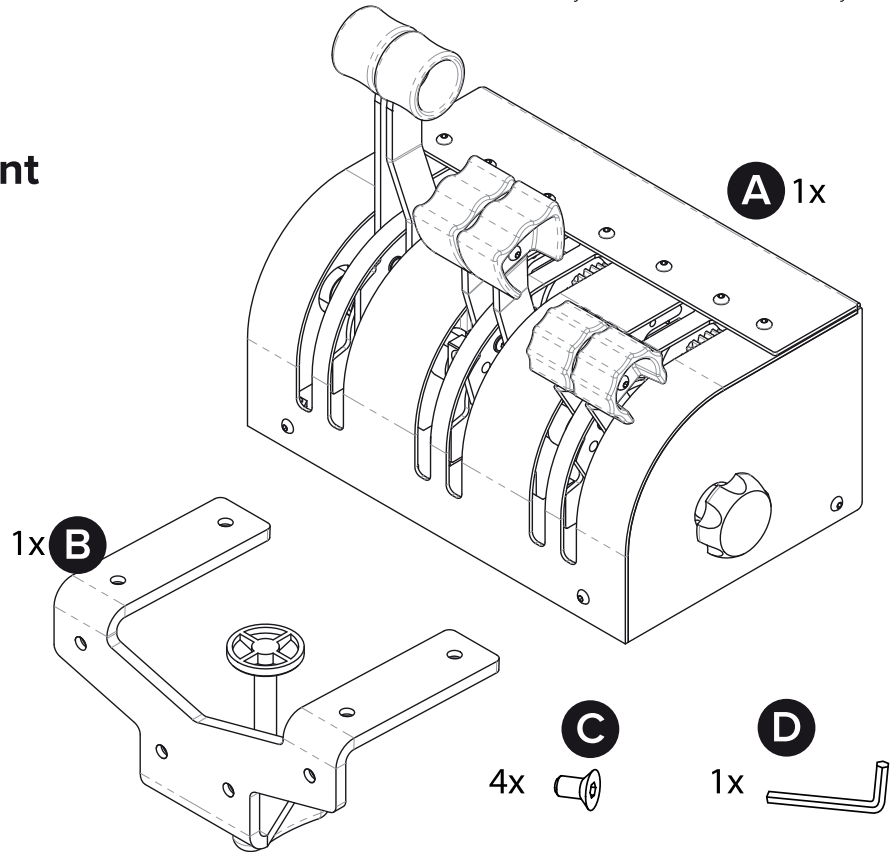


TQ6+ Throttle Quadrant

QUICK START GUIDE

Rev. 1.1- June 2018



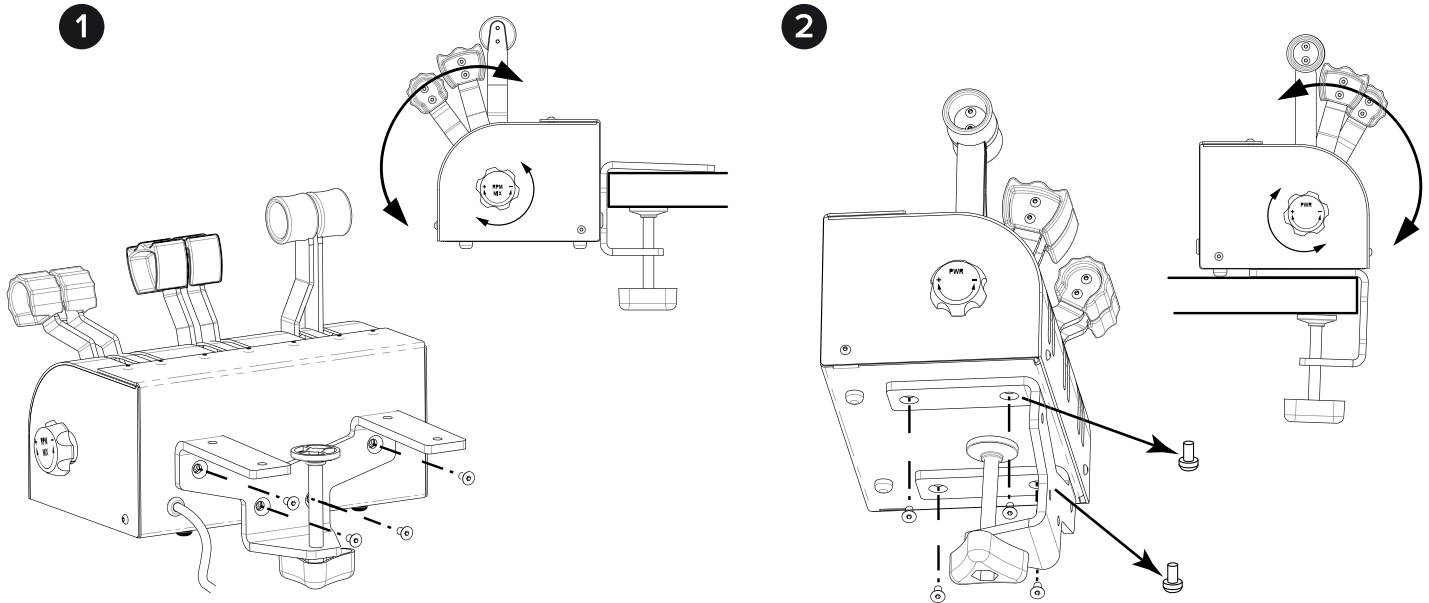
1. PACKAGE LIST

- A) TQ6+ Throttle quadrant
- B) Clamp for TQ6+
- C) Screws for clamp
- D) Allen key

2. CLAMP ASSEMBLY & ADJUSTMENTS

You have two ways for assembling the clamp: (1) on the back or (2) on the bottom, to get the best position for you. If you choose the bottom position, you must unscrew the two front rubber feet before you screw the clamp.

Adjust the hardness of the levers by tightening or untightening the lateral knobs.



Connect the USB cable to the computer where the flight simulator software is running.
It is not necessary the calibration on windows because the device is calibrated from factory.

DOWNLOADS

You can find the complete USER's manual and VF-Test&calibrate CONTROL PANEL in our DOWNLOADS TQ6+ website section: <https://www.virtual-fly.com/en/downloads>

