

# VirtualFly

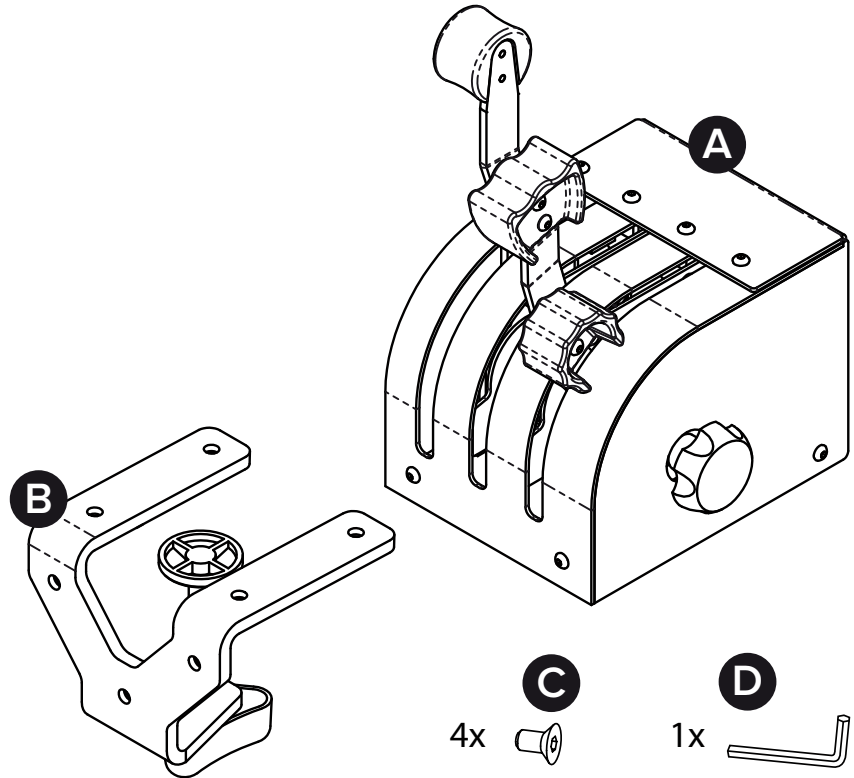
BY AIRCATGLOBAL

C. Maria Aurèlia Capmany, 29 – P. I. La Fàbrica  
08297 Castellgalí (Spain) T. (+34) 938 333 301  
info@virtual-fly.com www.virtual-fly.com

## TQ3+ Throttle Quadrant

QUICK START GUIDE (ENG)

Rev. 1.0 - May 2018



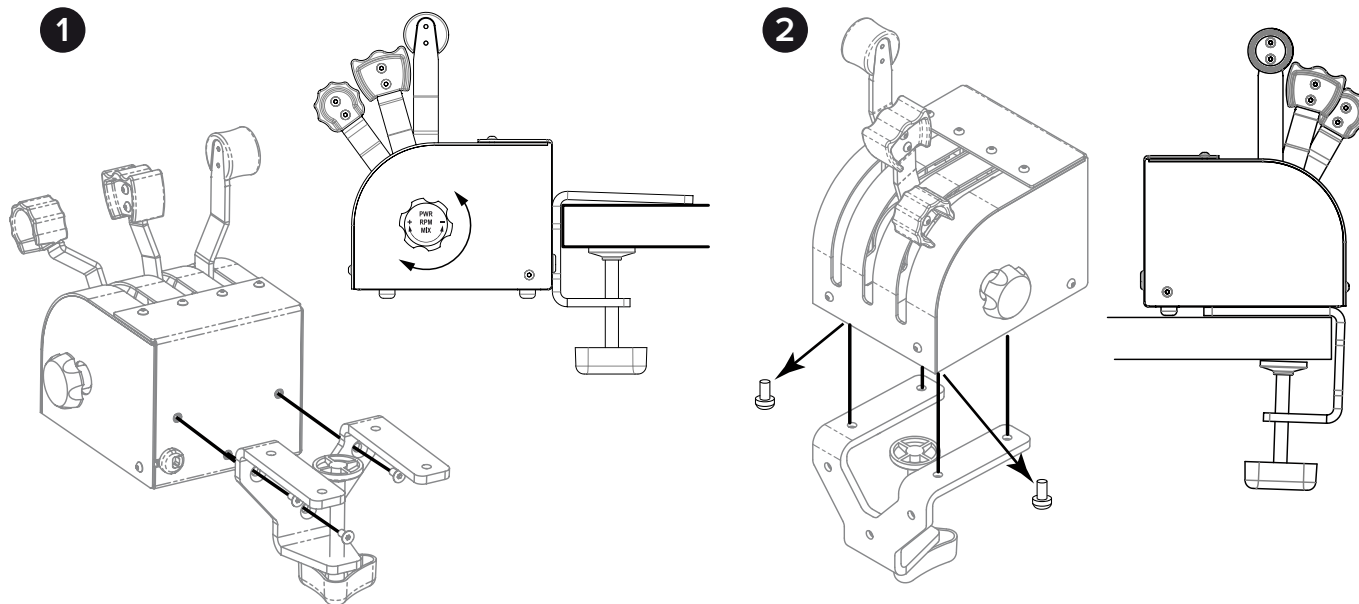
### 1. PACKAGE LIST

- A) 1 u. TQ3+ Throttle quadrant
- B) 1 u. Clamp for TQ3+
- C) 4 u. Screws for clamp
- D) 1 u. Allen key

## 2. CLAMP ASSEMBLY & ADJUSTMENTS

You have two ways for assembling the clamp: (1) on the back or (2) on the bottom, to get the best position for you. If you choose the bottom position, you must unscrew the two front rubber feet before you screw the clamp. Adjust the hardness of the levers by tightening or untightening the lateral knob.

Connect the USB cable to the computer where the flight simulator software is running.



## 3. DOWNLOADS

You can find the complete USER's manual and test&calibrate CONTROL PANEL in our DOWNLOADS website section: <https://www.virtual-fly.com/en/downloads>

