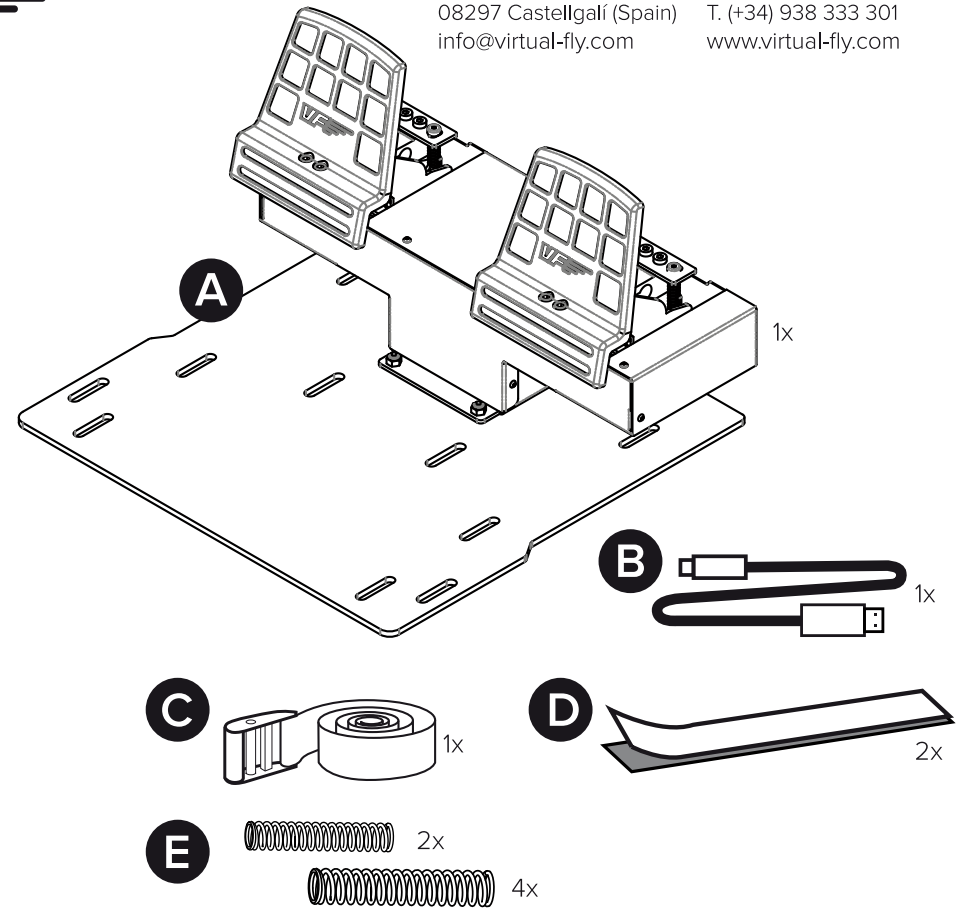


RUDDO+

QUICK START GUIDE (ENG)
Rev. 1.0 - May 2018



1. PACKAGE LIST

- A) RUDDO+
- B) USB cable
- C) Subjection strap
- D) Adhesive backed Velcro strips
- E) Springs

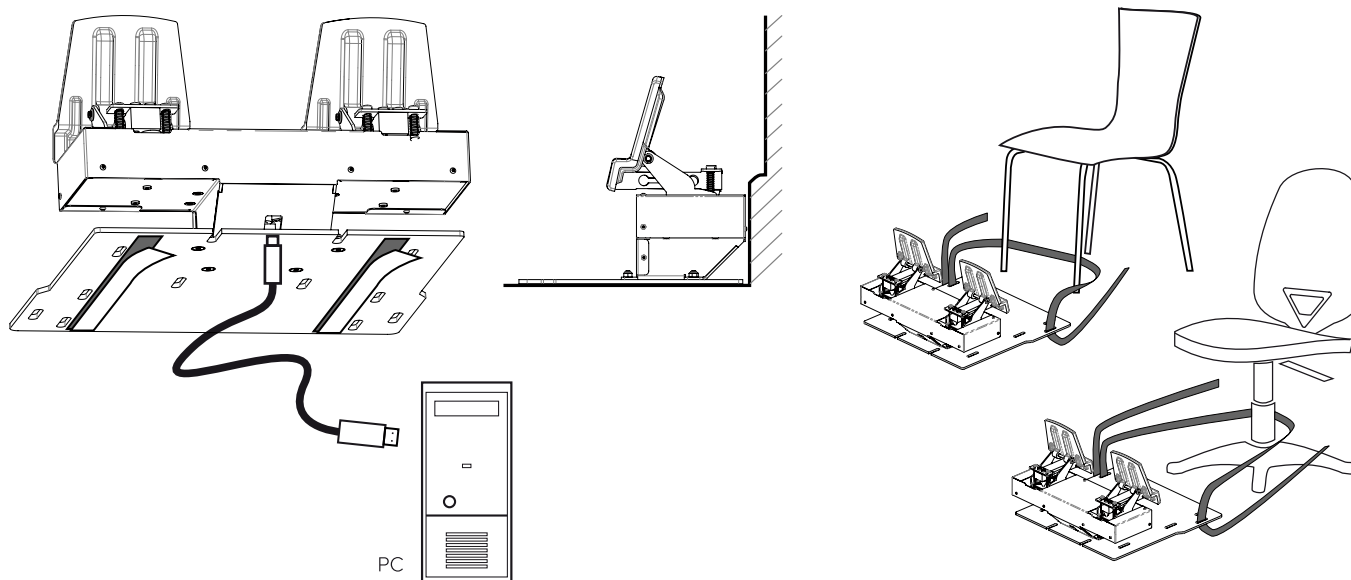
2. ASSEMBLY

Place the RUDDO+ on the floor in front of the chair in the desired position (recommended in contact with the wall).

Use the adhesive backed Velcro strips (D) provided. (You can also screw it to the floor. Screws not included.)

If you don't have the seat stuck to the floor, you can use the subsection strap (C) to minimize the chair movements while the brakes are applied.

Connect the USB cable (B) between the RUDDO+ and the computer where the flight simulator software is running.



DOWNLOADS

You can find the complete USER's manual and VF-Test&calibrate CONTROL PANEL in our DOWNLOADS RUDDO+ website section: <https://www.virtual-fly.com/en/downloads>

